

7W HALIGHT MR16 345lm  
 HALIGHT MR16 KC35P7 WC35P7 DC35P7

RoHS CE



## Features

- Special HALEd design with Anti-Glare Lens and Reflector
- High CRI with Ra90
- Switching power supply
- CE and RoHS compliant
- Perfect dimming function
- 85% energy saving

## Applications

- Home, villa and other residential buildings
- Shopping mall, Hotels, restaurants, bars, cafes

## Product Overview

Part No.	HALIGHT MR16 KC35P7 WC35P7 DC35P7
Wattage (W)	7
Incandescent Equivalent (W)	35
Dimmable	NO
Socket	GU5.3
Lumens (lm) by 90°	345
Luminous intensity(cd)	1000
Energy efficiency class	A
PF	0.9
CCT (K)	2700/3000/4000
CRI (Ra)	80
Voltage (V)	AC12V
Current (mA)	650
Frequency(Hz)	50/60
Beam Angle (deg)	24/36/60
Lifespan(hrs)	15000
Working Temperature (°C)	-20 - 40
Storage Temperature (°C)	-20 - 60
EAN Code	40 6057425765/66/67

## 6W HALIGHT GU10 520lm HALIGHT MR16 KC35P7 WC35P7 DC35P7

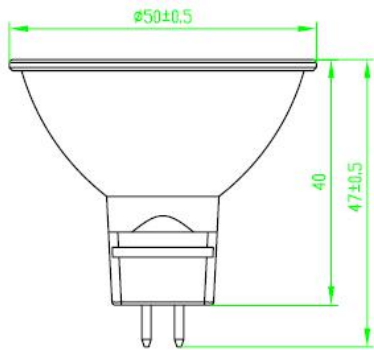
### Physical data

Weight (g)	46
Lamp Length (mm) - C/L	56
Max. Lamp Diameter (mm) - D	50
Lamp dimension equal to filament lamp equivalent	Yes
Designed for optimum use in non standard conditions	No
Fluorescent lamp replacement	No
Single packaging type	Box
Single package dimensions (L x W x H) (cm)	55 x 55 x 68 / 1PCS
Inner package dimensions (L x W x H) (cm)	290 x 118 x 88 / 10PCS
Outer package dimensions (L x W x H) (cm)	615 x 305 x 196 / 100PCS

\* Compatible dimmer: Busch Jaeger 6517U-101 / Merten MEG5133 / GIRA 030000/IT01

\* Do not use in close luminaire.

### Technical Drawings



### Energy Label

